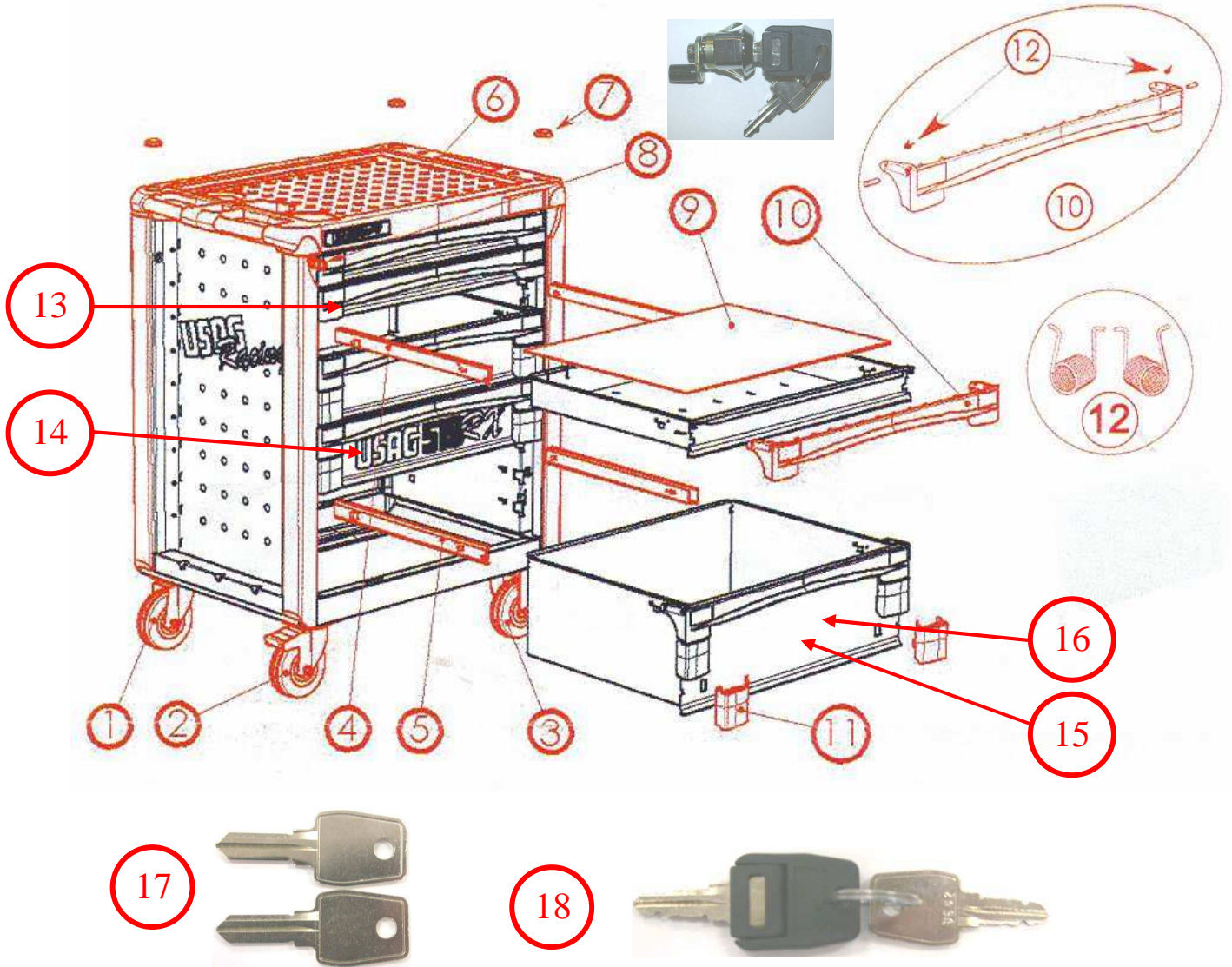




SCHEDA RICAMBI ARTICOLO SPARE PARTS SPECIFICATIONS

519 RX

Edizione: a



POSIZIONE POSITION	ARTICOLO ARTICLE	CODICE CODE	Quantità per confezione Quantity per box
1		Q519092	1
2		Q519093	1
3		Q519091	1
4		Q519482	2 (per / for H 27 mm)
5		Q519483	2 (per / for H 35 mm)
6	519RX5V – RX6V – RX7V – RX8V	Q519485	1
7	519RX5GV – RX6GV – RX7GV – RX8GV	Q519486	3
8		Q519070	1
9		Q519027	1
10		Q519488	1
11		Q519489	2
12		Q519490	2
13	519RX5V – RX6V – RX7V – RX8V	Q519493	1 (H 60 mm)
13	519RX5GV – RX6GV – RX7GV – RX8GV	Q519497	1 (H 60 mm)
14	519RX5V – RX6V – RX7V – RX8V	Q519494	1 (H 130 mm)
14	519RX5GV – RX6GV – RX7GV – RX8GV	Q519498	1 (H 130 mm)
15	RX6V – RX7V	Q519495	1 (H 200 mm)
15	RX6GV – RX7GV	Q519499	1 (H 200 mm)
16	519RX5V	Q519496	1 (H 270 mm)
16	519RX5GV	Q519500	1 (H 270 mm)
17	518 SX5V – 518 SX6V – 518SX7V	Q519069	2
18	518 SX5V – 518 SX6V – 518SX7V	Q519071	1 (N° serie / serial Number)